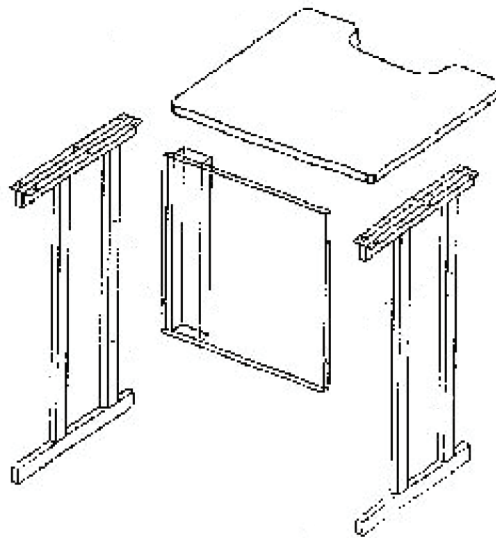


**Paragon** 

**ASSEMBLY INSTRUCTIONS: STANDING WORK CONSOLE (SWC)**



HARDWARE		
QUANTITY	PART NUMBER	DESCRIPTION
4	1010530	FLOOR GLIDE
4	1010550	1/4-20 LOCKNUT
12	1010555	10/32 X 1/2" MACHINE SCREW
4	1010566	1/4-20 X 1 3/4" MACHINE SCREW

**INSTRUCTIONS**

1. Lay top upside down on a clean, scratch free surface. Position top with cut out to the rear.
2. Take leg uprights with long side of leg base facing you and screw into top inserts using 10/32 x 1/2" machine screws until secure.
3. Determine which side chase is desired. Then, place modesty panel with chase to the back between leg uprights and align with holes in the leg. Secure with 1/4-20 x 1 3/4" machine screws and 1/4-20 locknuts.
4. Tighten screws in leg support frame.
5. Insert floor glides into bottom of each leg.
6. Turn the table upright.